

# Insight



-a phono-preamplification instrument by Sutherland Engineering

## Insight...

There comes a tipping point of accumulated knowledge that insists upon a new product. Insight gained from the design of preceding phono preamps opened up a new possibility.

The Insight can be viewed (and appreciated) from many angles.

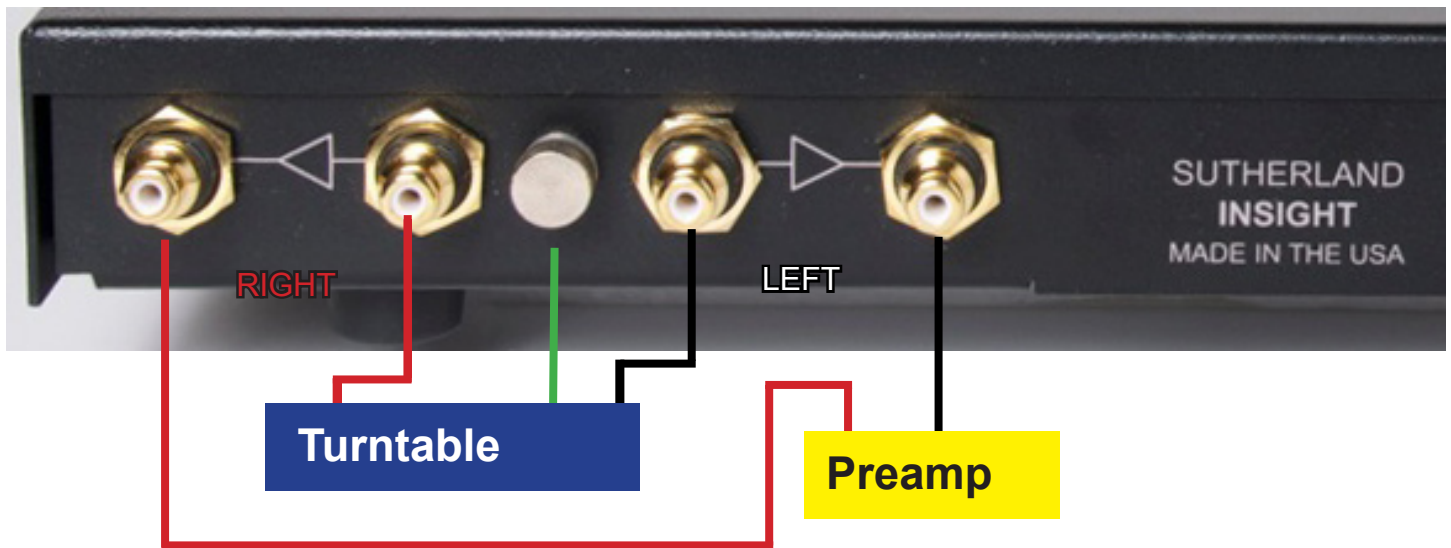
My favorite is 'pride of ownership'. Although not expensive by high end standards, the Insight is a combination of solid, thoughtful engineering – with an artisanal attention to every design decision. Every detail matters; good enough is NOT good enough. All the areas of performance, aesthetics, reliability, circuit design, circuit board layout, parts selection, packaging --- ALL of those aspects must seamlessly dovetail into one expression. For those with a taste for understated elegance, the Insight will deliver an enduring pride of ownership.

The physical artistry is a means to solid, reliable, musicality. There is no affectation. Just a simple, pure link to your recorded treasures. It faithfully delivers musical joy, year after year.



## CONNECTING

The symbols on the back of the Insight show signal path. The inner two RCA jacks are inputs for your turntable. The outer two connect the Insight to your preamplifier. The post in middle is for your turntable's ground wire, if it has one.



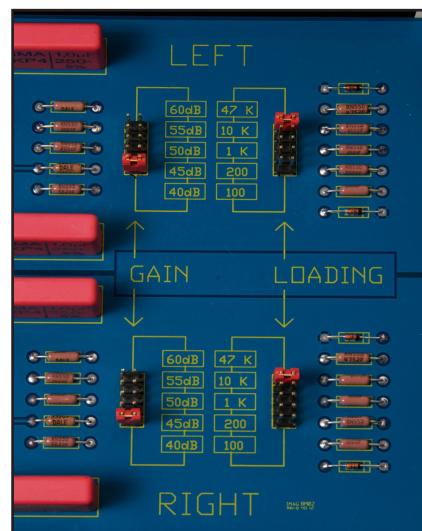
## CONFIGURATION

Conventional designs use inexpensive, low-quality computer rocker switches. Their design is inadequate for configuring the low-level signal from a phono cartridge. To offer the user a wide range of configurations, while maintaining signal integrity, the Insight uses gold-plated header pins and gold-plated shunts. They offer high-pressure and large surface area contacts.

Each channel has two configuration headers: One to select cartridge loading and another to select gain. When changing configuration, be sure to set each channel to the same value. Options are printed directly on the circuit board next to the configuration headers.

### GAIN ADJUSTMENTS

There are five available gain settings. Gain is set using the supplied, gold-plated shunts. There is a gain setting header block for each channel. Position the shunt to the desired gain value. Be sure to set the gain of each channel to the same value.



### LOADING ADJUSTMENTS

There are five available loading settings. Loading is set using the supplied, gold-plated shunts. There is a load setting header block for each channel. Position the shunt to the desired loading value. Be sure to set the loading of each channel to the same value.

# Insight SPECIFICATIONS

## Gain Settings

40 dB  
45 dB  
50 dB  
55 dB  
60 dB

## Cartridge Loading

100 Ohms  
200 Ohms  
1k Ohms  
10k Ohms  
47k Ohms

## POWER REQUIREMENTS:

86 to 260 volts AC, 5 watts  
universal, no adjustment required

## SIZE:

17" x 2 ½" x 12"

Insight

23" x 18" x 9"

Shipping Box

## WEIGHT:

11 pounds

Insight

19 pounds

Insight packed in shipping box

# — OPTIONAL LPS CONFIGURATION —



## An Optional Internal Upgrade

The **INSIGHT** can also be ordered with an optional internal Linear Power Supply board.

This LPS circuit board has a toroidal power transformer followed by rectification and extensive low-pass filtering. A cascade of passive R-C filtering provides extensive and effective isolation of the audio circuit from any noise or disturbance on the incoming AC power line.

The LPS circuit board is a popular option that adds a more refined musicality with a more solid foundation for dynamic expression.

## Operating Voltage Requirements for LPS Configuration

105 — 125 VAC, 10 Watts

210 — 250 VAC, 10 Watt units are available on special order

*Please Note: operating voltage is NOT universal and cannot be field modified*

